

Release Notes



TDS5000B Series Digital Phosphor Oscilloscope Quick Start User Manual Release Notes

061-4331-00

www.tektronix.com



061433100

Copyright © Tektronix. All rights reserved. Licensed software products are owned by Tektronix or its subsidiaries or suppliers, and are protected by national copyright laws and international treaty provisions.

Tektronix products are covered by U.S. and foreign patents, issued and pending. Information in this publication supercedes that in all previously published material. Specifications and price change privileges reserved.


TEKTRONIX and TEK are registered trademarks of Tektronix, Inc.

Contacting Tektronix

Tektronix, Inc.
14200 SW Karl Braun Drive
P.O. Box 500
Beaverton, OR 97077
USA

For product information, sales, service, and technical support:

- In North America, call 1-800-833-9200.
- Worldwide, visit www.tektronix.com to find contacts in your area.



TDS5000B Series Digital Phosphor Oscilloscope Quick Start User Manual Release Notes

Please use the following information to replace or clarify information contained in the *TDS5000B Series Digital Phosphor Oscilloscope Quick Start User Manual*.

Standard Accessories

This change affects the Standard Accessories list on page 1-6, TDS5000B series Operating System Restore CD. There are three listings for the OS restore CD:

TDS5000B Series Operating System Restore CD
(SN B030000 and above) 063-3985-xx.

TDS5000B Series Operating System Restore CD
(SN B020000 to SN B029999) 063-3759-xx

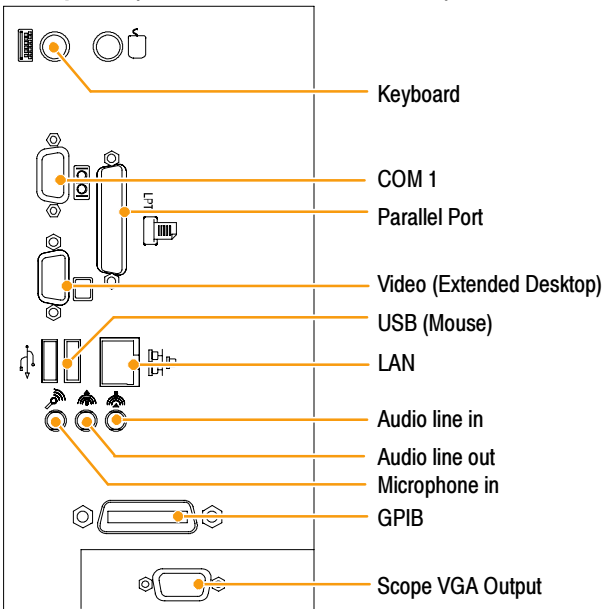
TDS5000B Series Operating System Restore CD
(SN B010100 to SN B019999) 063-3693-xx

Getting Acquainted with Your Instrument

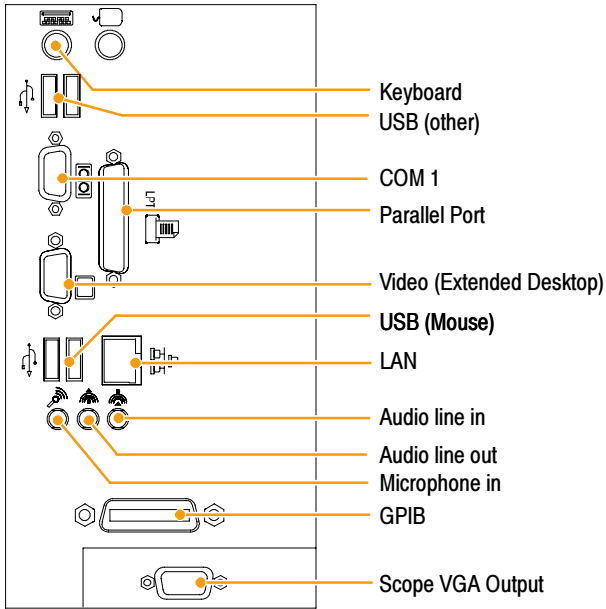
Side and Rear Panels.

This change affects only the side-panel illustration on page 15. There are three versions of side-panel illustrations, one for each version of motherboard.

Side panel (SN B010100 to SN B019999)



Side panel (SN B020000 to SN B029999)



Side panel (SN B030000 and Above)

